

COMMERCIAL & LIGHT INDUSTRIAL TITANIUM IMMERSION HEATERS

Description

The HRZ range of titanium immersion heaters are designed for commercial and light industrial applications in hard water areas. The rotatable IP55 terminal box is provided for ease of wiring and flexible for access in all types of locations.

Key features

- Heavy duty titanium element - designed for hard water areas
- Flexible fitting and wiring options
- Flexible operational features (manual or fixed heat settings)
- IP55 rotatable enclosure
- Dual function thermostat
- Control Temp Maximum 80°C
- Safety Cut-Out 90°C

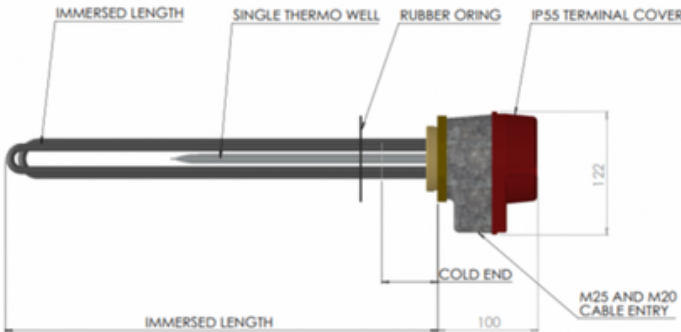


HRZ Light Industrial Titanium Immersion Heater

Technical specification

Part Number			Loading (kW)	Voltage (V)	Phase Connection	Immersed Length (in/mm)	Watts Density (W/cm ²)
2 ¼" BSP	2" BSP	1 ¾" BSP					
HRZ311A	HRZ311B	HRZ311C	3	240/415	1/3 PH	11/280	7.7
HRZ316A	HRZ316B	HRZ316C	3	240/415	1/3 PH	16/406	5.3
HRZ616A	HRZ616B	HRZ616C	6	240/415	1/3 PH	16/406	9.6
HRZ624A	HRZ624B	HRZ624C	6	240/415	1/3 PH	24/609	7
HRZ636A	HRZ636B	HRZ636C	6	240/415	1/3 PH	36/914	4.8
HRZ916A	HRZ916B	HRZ916C	9	240/415	1/3 PH	16/406	14.9
HRZ924A	HRZ924B	HRZ924C	9	240/415	1/3 PH	24/609	10.5
HRZ936A	HRZ936B	HRZ936C	9	240/415	1/3 PH	36/914	7.2
HRZ1224A	HRZ1224B	HRZ1224C	12	415	3 PH	24/609	14.1
HRZ1236A	HRZ1236B	HRZ1236C	12	415	3 PH	36/914	9.6

Temperature max: control 80°C, cut-out 90°C



Bespoke designed titanium immersion heaters available on request. Please do not hesitate to contact us.